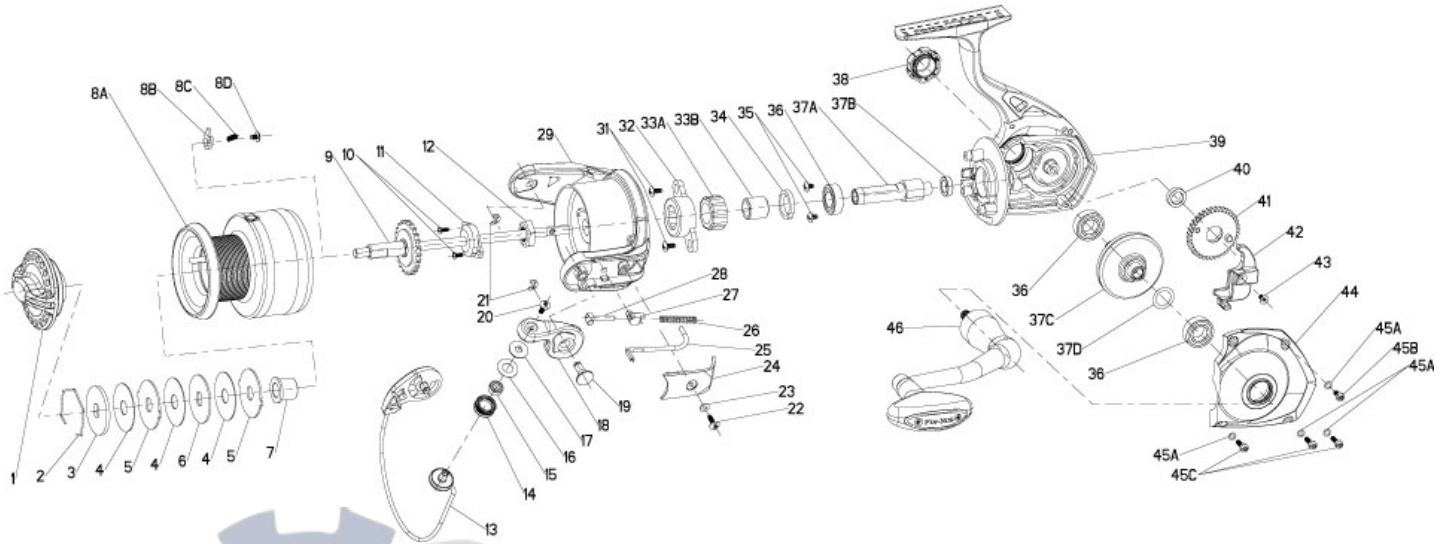


FIN-NOR

LEGENDARY TACKLE SINCE 1933

Sportfisher FS60



Fin-Nor Sportfisher FS60 Reel Part List

| Key # | Description | Part No. | Key # | Description | Part No. |
|-------|----------------------------|-----------|-------|---------------------------|-----------|
| 1 | DRAG KNOB ASSEMBLY | JO332-01 | 24 | ARM LEVER COVER | JO087-01 |
| 2 | SPOOL RETAINER | JO038-01 | 25 | KICK LEVER | JO019-01 |
| 3 | DRAG WASHER - KEYED | LO080-01 | 26 | ACTUATOR SPRING | JO022-01 |
| 4 | DRAG WASHER - FRICTION | JO033-01 | 27 | ACTUATOR | JO258-01 |
| 5 | DRAG WASHER - TABBED | JO081-01 | 28 | ACTUATOR SPRING PIN | JO031-01 |
| 6 | DRAG WASHER KEYED | JO080-01 | 29 | ROTOR | JO009-01 |
| 7 | SPOOL BUSHING | JO160-01 | 30 | PINION GEAR WASHER | N/A |
| 8 | SPOOL ASSEMBLY KIT | LO4321-01 | 31 | SCREW - CLUTCH (2) | JO077-01 |
| 8A | SPOOL ASSEMBLY | N/A | 32 | CLUTCH COVER | JO175-01 |
| 2 | SPOOL RETAINER | N/A | 33 | CLUTCH ASSEMBLY KIT | JO4178-01 |
| 3 | DRAG WASHER - KEYED | N/A | 33A | CLUTCH HOUSING | N/A |
| 4 | DRAG WASHER - FRICTION | N/A | 33B | CLUTCH SLEEVE | N/A |
| 5 | DRAG WASHER - TABBED | N/A | 34 | WASHER - ADJUST CLUTCH | JO259-01 |
| 6 | DRAG WASHER - KEYED | N/A | 35 | SCREW - BEARING (2) | GU077-04A |
| 7 | SPOOL BUSHING | N/A | 36 | BALL BEARING (3) | BT157-01 |
| 8B | SPOOL CLICKER | N/A | 37 | GEAR KIT | JO4011-01 |
| 8C | CLICK SPRING | N/A | 37A | PINION GEAR | N/A |
| 8D | SCREW - CLICKER | N/A | 37B | PINION BUSHING | N/A |
| 9 | MAINSHAFT ASSEMBLY | JO315-01 | 37C | DRIVE GEAR | N/A |
| 10 | ROTOR NUT LOCK SCREW (2) | JO094-01 | 37D | DRIVE GEAR ADJUST WAS | N/A |
| 11 | MAINSHAFT BUSHING | BT214-01 | 38 | HANDLE CAP | JO073-01 |
| 12 | ROTOR NUT | BT006-01 | 39 | BODY | JO001-01 |
| 13 | BAIL ASSEMBLY | JO347-01 | 40 | OSCILLATOR GEAR BUSHING | BT158-01 |
| 14 | LINE ROLLER | CH004-02 | 41 | OSCILLATOR GEAR | BT053-01 |
| 15 | LINE ROLLER BEARING | GH202-01 | 42 | OSCILLATOR GEAR SLIDER | BT025-01 |
| 16 | LINE ROLLER WASHER | DH102-01 | 43 | MAIN SHAFT SCREW | RQ100-01 |
| 17 | LINE ROLLER COLLAR | CH102-01 | 44 | BODY COVER | JO023-02 |
| 18 | ARM LEVER | JO007-01 | 45 | BODY COVER SCREW KIT | JO4057-01 |
| 19 | PIN | PG042-01 | 45A | SCRATCH PROTECT WASHER (4 | N/A |
| 20 | SCREW - LINE SLIDER | AQ108-01 | 45B | BODY COVER SCREW (1) | N/A |
| 21 | E-CLIP - BAIL ASSEMBLY (2) | GH034-01 | 45C | BODY COVER SCREW (3) | N/A |
| 22 | ARM LEVER COVER SCREW | GU077-02A | 46 | HANDLE ASSEMBLY | JO318-01 |
| 23 | ARM LEVER COVER WASHER | SQ142-01 | | | |